



SIEMENS

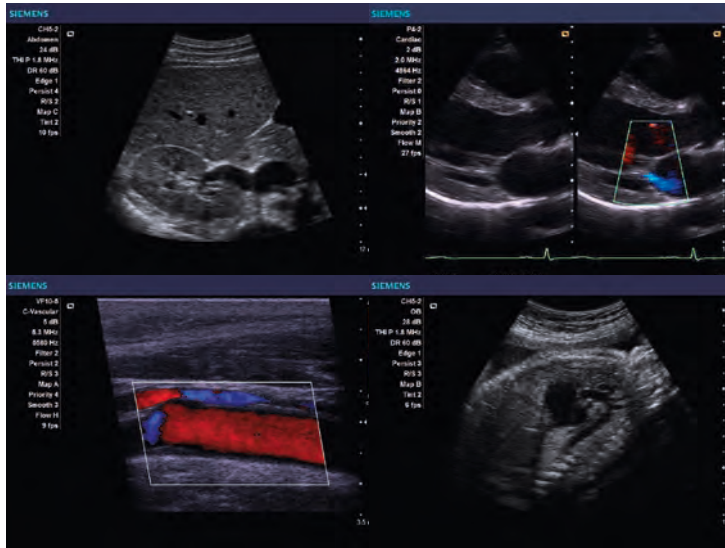


Compact. Efficient.  
Uncompromised performance.

ACUSON X300 Ultrasound System

[www.siemens.com/ultrasound](http://www.siemens.com/ultrasound)

Answers for life.



- ▶ Abdominal Imaging  
Transverse Liver / Kidney
- ▶ Cardiac Imaging  
Dual Screen Parasternal Long  
Axis View-Mitral Regurgitation
- ▶ Vascular Imaging  
Common Carotid Artery  
Color Doppler
- ▶ Obstetrical Imaging  
Fetal Aortic Arch

### Advanced Technology

The ACUSON X300 system provides advanced technology to suit your clinical needs.

## The performance you expect from Siemens— in a compact, efficient, ergonomic package.

Today's clinical challenges require robust imaging performance. The ACUSON X300™ ultrasound system provides that imaging capability in a highly mobile, compact package, with state-of-the-art ergonomics and a high level of value, both now and years down the road.

The ACUSON X300 system is engineered to give you uncompromised diagnostic performance. The system's compact size and easy mobility make it ideal when space is limited, or when fully-featured diagnostic capability is needed in more than one place.

In short, the ACUSON X300 system was designed to deliver the diagnostic confidence your clinic needs—wherever and whenever you need it next.

### Superior Clinical Performance

- ▶ The ACUSON X300 system delivers excellent imaging performance in a compact, color Doppler system over a wide range of clinical applications, giving you the diagnostic confidence you need, patient after patient.

### Streamlined Clinical Workflow

- ▶ Siemens is dedicated to giving you the streamlined workflow and clinical efficiency you need, through the DIMAQ-IP workstation and DICOM structured reporting to the ACUSON X300 system's compact design, engineered for easy mobility.

### Advanced ErgoDynamic Design

- ▶ The ACUSON X300 system provides an optimal ergonomic solution. From the height adjustable control panel to the 15" flat panel display, the ACUSON X300 system was designed for operator comfort.







### Consistent Image Quality

The advanced Hanafy lens transducer technology of the CH5-2 curved-array transducer enables improved image uniformity when scanning technically difficult-to-image patients. Excellent image quality, with penetration as deep as 30 cm, is achieved without excessive transducer pressure.

## The image quality you need for confident diagnosis.

The all-digital ACUSON X300 system is engineered to provide the excellent clinical performance needed for confident diagnosis. The ACUSON X300 system brings the benefits of Siemens' advanced core imaging technologies providing robust imaging capability in a surprisingly compact, easy-to-use package. The ACUSON X300 system was created to provide a new standard in the world of compact, mobile ultrasound systems.



### Less Pressure

- ▶ The CH5-2 Hanafy lens transducer is designed to deliver improved image uniformity, from near to far field, with penetration as deep as 30 cm—reducing the scanning pressure needed for a diagnostic exam.



## TGO Tissue Grayscale Optimization Technology

- ▶ Single-keystroke TGO™ tissue grayscale optimization technology delivers more consistent image quality with a single push of a button.

## Efficient Connectivity

The DIMAQ-IP integrated workstation and a comprehensive suite of DICOM features enable fast, easy access to patient information throughout the hospital system.

## Get it done. Get it right. Get it now.

The ACUSON X300 system is designed to achieve optimal clinical efficiency. From a customizable patient entry screen to DICOM structured reporting, the ACUSON X300 system is engineered to address each clinic's unique workflow needs. The DIMAQ-IP workstation allows you to store, recall and manage patient data with speed and efficiency. Thumbnail image display provides easy access to stored images for review and printing.

TGO technology delivers more consistent image quality with a single push of a button for improved user-to-user consistency and reduced exam time.



## Superior Image Management

- ▶ Thumbnail image display provides a quick review of stored images and easy access for printing or deletion of images from a study.



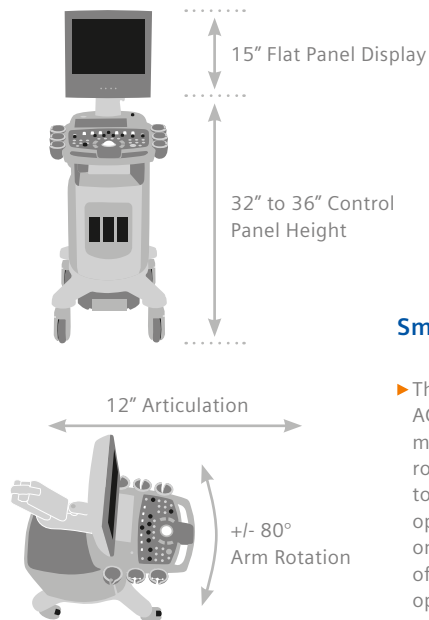
### Ergonomic Flat Panel Display

The 15" flat panel display and articulated arm allow for optimal monitor placement and image quality in all scanning environments.

## ErgoDynamic™ Imaging System Design: Taking the pain and pressure out of scanning.

The ACUSON X300 system is designed with the latest ergonomic innovations. With a lightweight compact footprint, the ACUSON X300 system is easy to move and store. The operator-friendly console is centered around a home-base design to reduce arm and hand movement, while the height-adjustable control panel and articulating arm allow for comfort in a variety of scanning situations.

Small, lightweight transducers complete the ergonomic package with advanced features such as Hanafy lens transducer technology, which provides excellent penetration with reduced scanning pressure.



### Small Footprint

► The lightweight, compact ACUSON X300 system design makes it easy to move from room to room, and convenient to store. This enhanced operational flexibility lets one machine do the work of many—and helps reduce operator injuries.





Standalone clinical images may have been cropped to better visualize pathology.

ACUSON X300, DIMAQ, and TGO are trademarks of Siemens Medical Solutions USA, Inc.

**Global Siemens Headquarters**

Siemens AG  
Wittelsbacherplatz 2  
80333 Muenchen  
Germany

**Global Siemens  
Healthcare Headquarters**

Siemens AG  
Healthcare Sector  
Henkestrasse 127  
91052 Erlangen  
Germany  
Phone: +49 9131 84-0  
[www.siemens.com/healthcare](http://www.siemens.com/healthcare)

**Legal Manufacturer**

Siemens Medical Solutions USA, Inc.  
Ultrasound  
685 E. Middlefield Road  
Mountain View, CA 94043  
USA  
Phone: 1-888-826-9702  
[www.siemens.com/ultrasound](http://www.siemens.com/ultrasound)